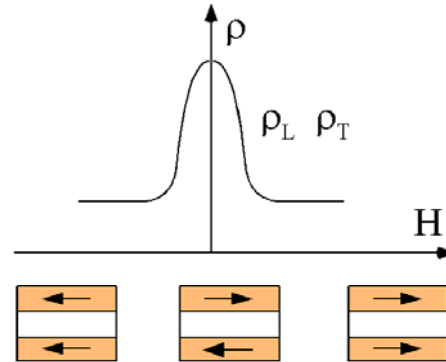
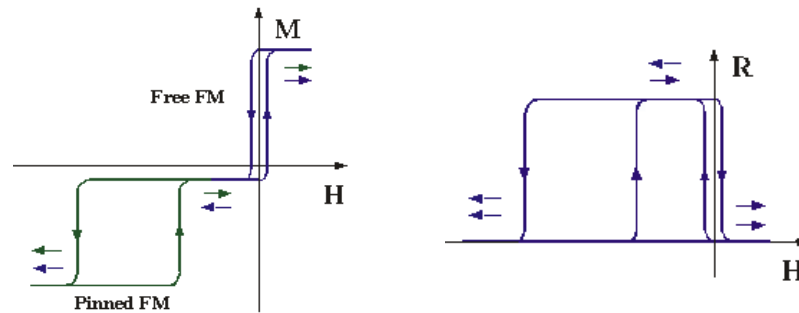
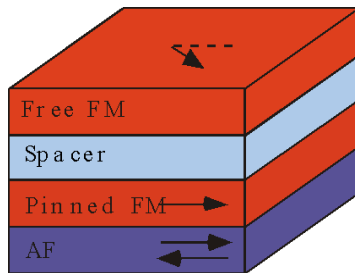


# Giant Magnetoresistance

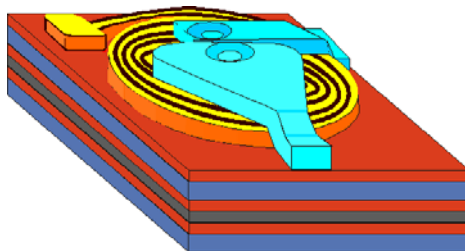
~ 80% @ 300K  
Magnetic multilayers



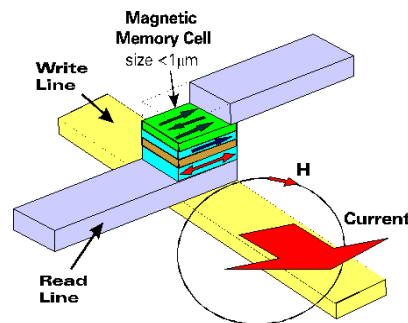
## Spin Valve



## Read Head



## Magnetic RAM



Gave birth to spintronics

Nobel Prize?