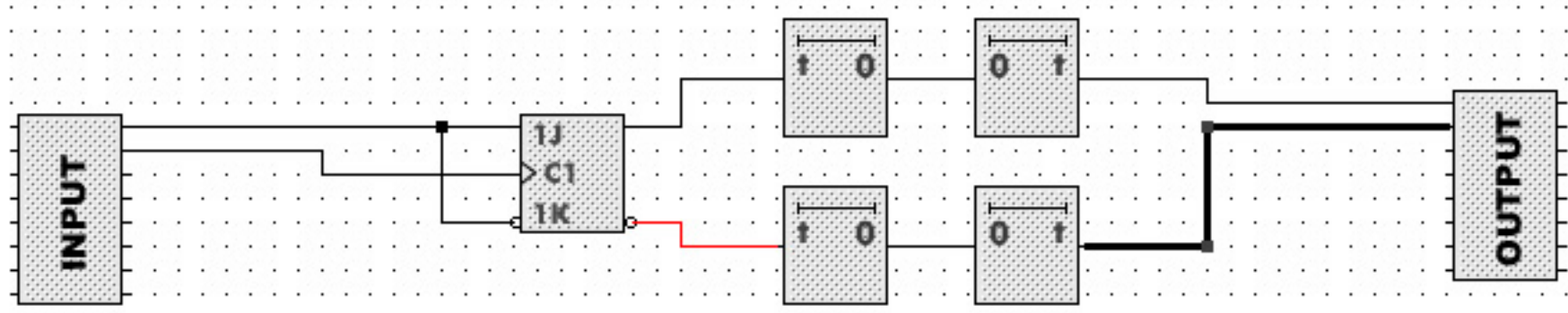


- Switch
- LED
- AND
- NAND
- OR
- NOR
- NOT (Inverter)
- XOR (Antivalence)
- <-> (Equivalence)
- 
- Normal Input
- Input Inverter
- Input High
- Input Low
- 
- RS FlipFlop
- D FlipFlop
- JK FF (edge triggered)
- JKMS FlipFlop
- T FlipFlop
- 
- Clock
- MonoFlop
- turn on delay
- turn off delay
- 
- Binary Input
- LCD
- Text Label
- 
- DDff
- FullAdder



Turn On Delay Properties

Enter delay time (ms)

Cancel OK

A dialog box with a title bar 'Turn On Delay Properties'. It contains an exclamation mark icon in a speech bubble, a text input field with the value '1', and 'Cancel' and 'OK' buttons.